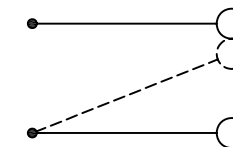
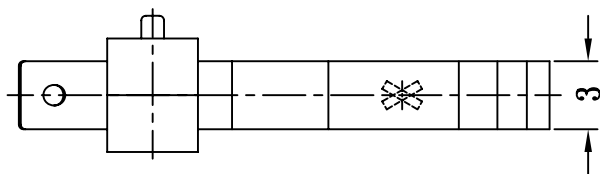
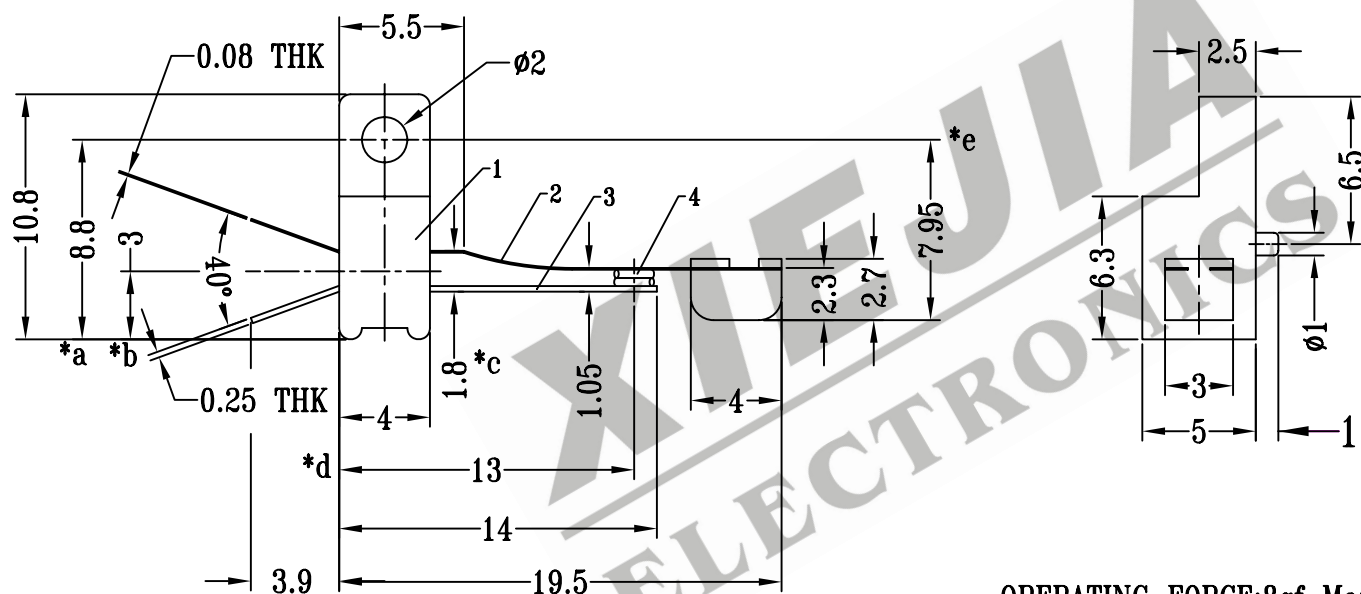


CAD FILE:



SCHEMATIC(N.C.)



OPERATING FORCE:8gf Max

注:带"*"表示关键尺寸(5个)

MODEL	SPRING PLATE
LF-016	G=GOLD
	N=NICKEL
	S=SILVER
	X=NIL

NO.	PARTS	MATERIALS	Q'TY	FINISH	TOLERANCE UNLESS SPECIFIED	SHENZHEN XIEJIA ELECTRONICS CO.,LTD.				
8					WITHIN: 1.5±0.1mm OVER : 1.5±0.2mm	ISSUE	DATE	DESCRIPTIONS OF REVISION		APPD.
7										
6										
5										
4	CONTACT	PBS WIRE	2	Ag PLATED	TITLE : LEAF SWITCH		UNIT : mm	DRWG NO.: XJ-DR-LF016-00		
3	SPRING PLATE B	PBS STRIP	1	NATURAL	MODEL: LF-016		SCALE: 3:1	DWN.	ZHOUYU	2007-5-8
2	SPRING PLATE A	PBS STRIP	1	NATURAL	ALL MATERIALS MUST BE COMPLIANT TO ROHS			CHK'D	FANGYING	2007-5-8
1	CASE	POM	1	BLACK				APPD.	KANGXINAN	2007-5-8